



Your source for high quality, affordable lasers

## DATA SHEET

### SINGLE LONGITUDINAL MODE INFRARED LASER AT 1064nm

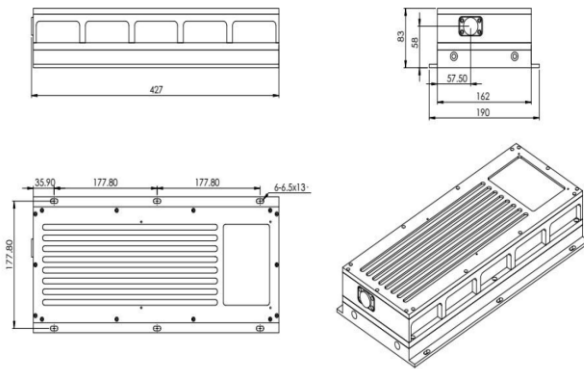
All solid state single frequency laser at 1064nm is made features of high power, long lifetime and easy operating, which is used in DNA sequencing, flow cytometry, cell sorting, optical instrument, spectrum analysis, interference, measurement, holography, physics experiment, etc.



Model: MSL-R-1064/1~10W

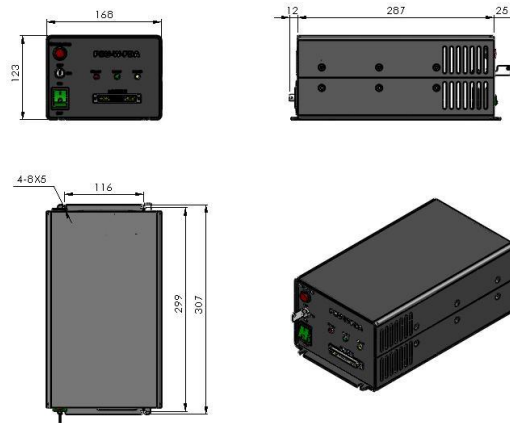
Wavelength (nm)	1064 ±1
Output power (W)	>1, 2, ..., 10
Transverse mode	TEM <sub>00</sub>
Longitudinal mode	Single
Operating mode	CW
Power stability (rms, over 4 hours)	<1%, <2%, <3%, <5%
Warm-up time (minutes)	<10
M <sup>2</sup> factor	<1.2
Beam divergence, full angle (mrad)	<1.5
Beam diameter at 1/e <sup>2</sup> (mm)	~1.5
Beam height from base plate (mm)	58
Spectral line width (nm)	<0.00001
Polarization ratio	>100:1
Pointing stability after warm-up (mrad)	<0.05
Noise of amplitude (rms, 20Hz~20MHz)	<0.5%
Operating temperature (°C)	20~30
Power supply (90-264VAC)	PSU-W-FDA
Expected lifetime (hours)	10,000
Warranty period	1 year

MSL-R-1064



427(L) × 190(W) × 83(H) mm<sup>3</sup>, 11kg

PSU-W-FDA



307(L) × 168(W) × 123(H) mm<sup>3</sup>, 4.5kg

Water Chiller



307(L) × 168(W) × 123(H) mm<sup>3</sup>, 4.5kg